

Installation and Operating Instructions for Vented Gas Log Sets

Models R18CFL, R24CFL, R30CFL



LISTING NO. 1254

Decorative Gas Appliance for Installation in Solid Fuel Burning Fireplaces

WARNING

If the information in this manual is not followed exactly, a fire or explosion may result, causing property damage, injury, or loss of life.

- Do not store gasoline or other flammable vapors or liquids near this or any other appliance.
- WHAT TO DO IF YOU SMELL GAS
 - Do not try to light any appliance.
 - Do not touch any electrical switch; do not use any phone in your building.
 - Immediately call your gas supplier from a neighbor's phone. Follow the gas supplier's instructions.
 - If you cannot reach your gas supplier, call the fire department.

ATTENTION

Installation, service and repair of this appliance must be performed by a qualified installer, service agency, company or gas supplier experienced with this type of gas appliance.

Installer:

Read this instructions completely and carefully prior to beginning installation. After installation, leave these instructions with the owner.

Owner:

Read these instructions and follow the warnings. Save this manual for future reference.

Department of Building and Safety, Rule of General Application No. RGA2-72,
"Standard for Decorative Log Sets for Installation in Wood Burning Fireplaces".
Decorative Gas Appliances for Installation in Solid-Fuel Burning Fireplaces.

CFM Specialty Home Products

410 Admiral Blvd. • Mississauga, Ontario, Canada L5T 2N6 • 905-670-7777
www.majesticproducts.com • www.vermontcastings.com

SAVE THIS MANUAL FOR FUTURE REFERENCE

WARNING

Improper installation, adjustment, alteration, service or maintenance can cause injury or property damage. Read these directions thoroughly before installation. For assistance or additional information, consult your gas log dealer, qualified installer, service agency or gas supplier.

WARNING

Do not use this appliance or any part that has been under water. Immediately call a qualified service technician to inspect the appliance and to replace any part of the control system and any gas control which has been under water.

WARNING

If not installed, operated, and maintained in accordance with the manufacturer's instructions, this product could expose you to substances in fuel or fuel combustion which are known to the state of California to cause cancer, birth defects, or other reproductive harm.

WARNING

A properly sized, unobstructed chimney will normally vent all fumes and products of combustion. Any odor or smoke detected in the room is an indication that the flue is not properly removing the combustion products. Turn off the gas supply valve immediately! The cause of the venting problem must be discovered and corrected before using this gas log set. Disregarding this warning can cause illness as well as soot damage to your fireplace, room, and furnishings.

WARNING

Young children are not allowed to operate this unit and must be supervised when they are in the same room as the appliance.

INSTALLATION PRECAUTIONS

Fireplace damper **MUST** be locked fully open when operating the gas log set.

If the fireplace has glass doors, **operate gas log set only with doors fully opened**. The fireplace screen must be in place when the appliance is operating and, unless other provisions for combustion air are provided, the screen shall have an opening(s) for introduction of combustion air.

The log set and its individual shut-off valve **MUST** be isolated from the gas supply piping system by closing its individual shut-off valve during any pressure testing of gas supply at test pressures equal to or less than 1/2 psig.

The log set and its individual shut-off valve **MUST** be disconnected from the gas supply piping system during any pressure testing of that system at test pressures in excess of 1/2 psig.

Keep the gas log set clear and free from combustible materials, gasoline and other flammable vapors and liquids.

General Information

In order to assure a safe and effective installation, only a qualified service person who is familiar with the building codes and installation techniques appropriate to your area may install and service this appliance.

The Logsets have been designed and tested to operate safely when installed according to the installation instructions contained in this manual. Read all instructions before starting the installation.

- The logset should be inspected before use and at least annually thereafter. More frequent cleaning may be necessary because of excessive lint from carpeting or bedding material.
- In the United States, the installation and operation must conform to local codes or, in the absence of local codes, with the National Fuel Gas Code, ANSI Z223.1/NFPA 54, latest edition, CSA-B149 Installation Code, and with the National Electrical Code, ANSI/NFPA70 (latest edition).
- The gas logset and its individual shutoff valve must be disconnected from the gas supply piping system during any pressure testing of that system at test pressures in excess of 1/2 p.s.i.g. (3.5 kPa) The gas logset must be isolated from the gas supply piping system by closing its individual manual shutoff valve during any pressure testing of the gas supply piping system at test pressures equal to or less than 1/2 p.s.i.g. (3.5 kPa)
- Do not, under any circumstances, burn solid fuel (wood, paper, coal) in the fireplace where you have installed your logset. Do not use it for cooking. Put nothing on top of the logs.
- The logset **must** be compatible with its fuel. Natural gas requires different hardware than propane. Never attempt to use natural gas with a propane logset or vice versa.
- For a propane burning logset, the supply tank must include a high to low gas pressure regulator. The tank **must** be outdoors. Do not, under any circumstances, locate supply tanks inside any structure.
- The fireplace **must** include a screen made of chain mesh or a similar material. You must keep the screen closed at all times during the operation of the logset; it will protect you in the event of an explosion.
- **WARNING:** If the fireplace contains glass doors, they **must** remain open at all times during the operation of the logset, allowing combustion air to circulate.
- In order to avoid any possible gas leaks, apply pipe joint compound to all non-flared threaded connections involved in this installation. For propane, the joint compound must be resistant to the corrosive action of propane.
- To check for leaks, always use a soapy water solution or a sniffer. **Never** test by using an open flame.
- The area around the gas logset **must** be free of all combustible materials, especially gasoline or other highly flammable, vapor producing liquids.
- Due to high temperatures, locate this logset away from both high traffic areas and furniture and draperies.
- Children and adults alike should be aware of the high surface temperatures; to avoid the risk of burns or ignition of clothing they should stay away.
- Do not touch any part of the logset other than the controls while it is operating or immediately after you turn it off.
- Supervise young children and pets carefully when they are in the room where the logset is operating.
- Do not place clothing or other flammable material on or near the logset.
- Make sure that any safety screen or guard, removed during servicing, has been replaced before you use the logset.
- Do not, under any circumstances, install the logset in any bedroom, bathroom, other small, enclosed room, mobile home or recreational vehicle.
- Do not install the logset in a drafty area or use it with any aftermarket blower system that may cause drafting and consequently alter the flame pattern.
- It is imperative that you keep clear all burner areas, control compartments and passageways for circulating air.
- Do not move the logset in any way that might dislodge the logs from their fixed positions. If you bump the logset check to see if you have dislodged anything.
- Provide adequate clearances around air openings into the combustion chamber and adequate accessibility clearance for servicing and proper operation. NEVER obstruct the front opening of the fireplace.

Pre-Installation Checklist	Yes	No
Are you burning Natural Gas? If you have Propane Gas, you need to purchase a factory authorized safety pilot kit (see below).		
Is the gas supply inlet pressure correct? NG: Min. 3.5" w.c./Max. 7.0" w.c.		
Does the firebox meet the minimum size dimensions below?		
Is your fireplace plumbed with gas on the right side (facing) of the fireplace? If not, see Page 4.		
Is the gas supply line sized properly (Minimum 1/2" iron pipe)?		
Do you have a solid fuel (wood burning) fireplace with a vented flue?		
Do you have a manual gas supply valve installed at your fireplace? If not, a licensed plumber, gas company technician or other qualified installer must install one.		
Have you checked local building codes? (Check with your local building department)		
Does your fireplace have a wire mesh screen in place?		

CAUTION: If you answered "NO" to any item, or have any questions regarding your installation, please contact your dealer/distributor for assistance.

Minimum Clearances & Specifications								
Natural Gas Units								
Set Size	Input Btu/hr	Minimum Firebox Dimensions				Minimum Flue Size	Gas Fuel Line Pressure	
		Width		Depth	Height		Minimum	Maximum
Back	Front							
18"	54,000	16"	24"	15"	18"	51 sq.in.	3.5" w.c.	7.0" w.c.
24"	90,000	20"	30"	15"	18"	79 sq.in.	3.5" w.c.	7.0" w.c.
30"	90,000	27"	36"	18"	18"	79 sq.in.	3.5" w.c.	7.0" w.c.

NOTE: Use of a Pilot or LP Conversion Kit will add 3" to the minimum width requirements. Refer to the pilot kit's installation instructions.

Propane (LP) Conversion
<p>USE OF THIS SET WITH LP OR PROPANE FUEL REQUIRES THE INSTALLATION OF ONE OF OUR FACTORY AUTHORIZED SAFETY PILOT KITS:</p> <p>MODEL SPK P - Pilot Kit with Piezo Spark Ignition MODEL RVKRP - Millivolt Pilot Kit with Remote Control Capabilities</p>

Tools Required

8" adjustable crescent wrench; Pipe thread sealant compound or teflon tape; 12" pipe wrench or channel lock pliers.

Gas Plumbed on Left Hand Side of Fireplace

NOTE: Your gas log set is assembled at the factory to be installed in a fireplace plumbed with the gas on the right side (facing). If your fireplace is plumbed with the gas on the left side remove fittings on right and left side of straight burner tube and switch sides, at the same time put front burner tube on right side with the elbow fitting. (Fig. 5a and 5b)

You may also run a flexible connector (or as per local codes) along the back wall of the fireplace to bring your gas line to the right hand side. You can then place the set in front of the flexible connector. (Fig. 5c)

Damper Stop Installation: For Use with BR, BC, SR, SC, TF and TL Series CFM Specialty Home Products Fireplaces

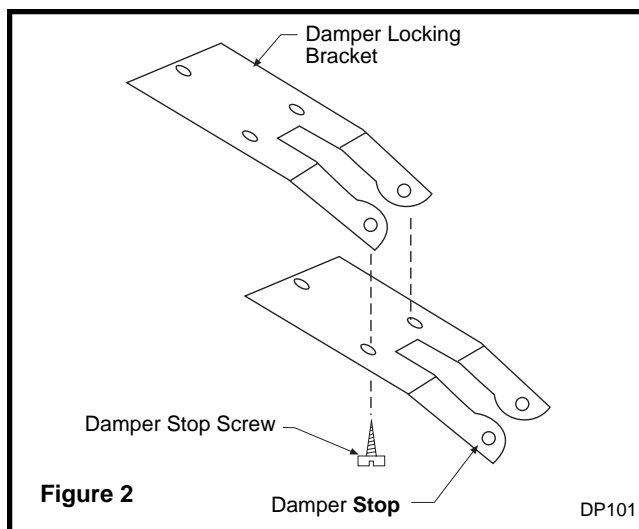
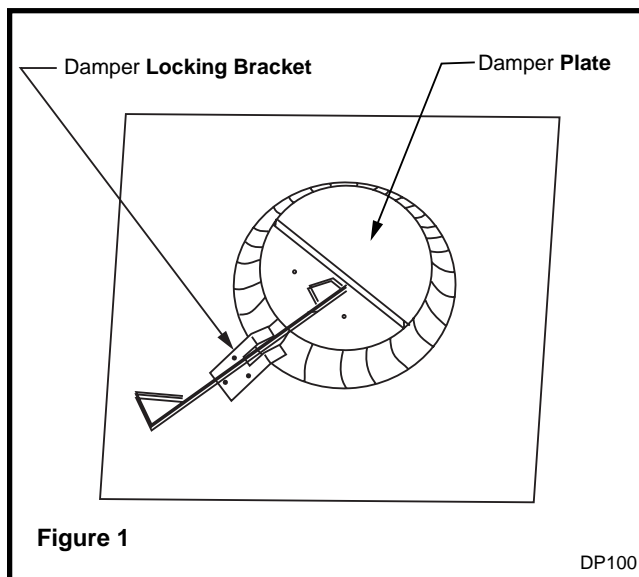
This Damper Stop is designed to work on all CFM Specialty Home Products BR, BC, SR, SC, TF and TL series fireplaces. For all other fireplaces, refer to Page 6.

When installing a decorative gas appliance in a fireplace, some local codes require this Damper Stop to be used so the Damper will not close completely. To install the Damper Stop:

The Damper Locking Bracket is already installed on all BR, BC, SR, SC, TF and TL fireplaces. Locate the Damper Locking Bracket on the left side of the fireplace's Combustion Dome. (Fig. 1)

With the Damper open, align the two slots on either side of the cut-out on the Damper Stop with the two small holes on the angled portion of the Damper Locking Bracket. Attach the Damper Stop with the Screws provided, as shown in Figure 2.

NOTE: Some of the early fireplace units may not have the holes in the end of the Damper Locking Bracket. If this is the case, use the Damper Stop as a template to drill two (2) 1/8" holes in the Damper Locking Bracket to mount the Damper Stop.



Damper Stop Installation: For Use With All Other Fireplaces

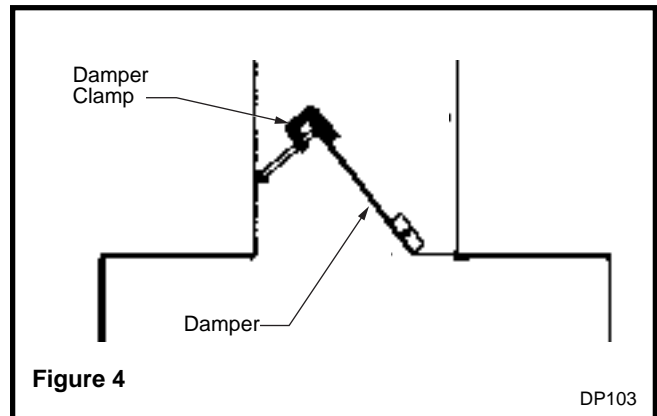
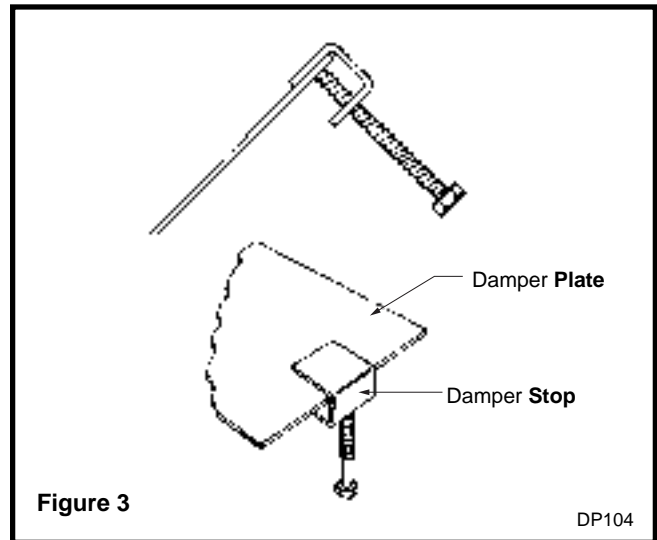
The Damper Stop provided keeps your damper from accidentally closing during operation of your set. **This Damper Stop must be installed onto your Damper at all times. NOTE: The damper clamp is designed to hold the damper plate open 3 inches. However, the damper must be fully open when the log set is in operation.**

Install the Damper Stop onto the edge of the damper plate. Attach by securing the bolt provided to the damper plate with an adjustable wrench. (Fig. 3)

If the Damper Stop does not fit, drill a 1/4" hole into the damper plate and install an anchor bolt with nut, at a 90 degree angle, so that the damper plate will remain fully open.

The proper finished installation of the Damper Stop is shown in Figure 4. If the bolt fails to block the damper in an open position, the damper should be removed from the chimney.

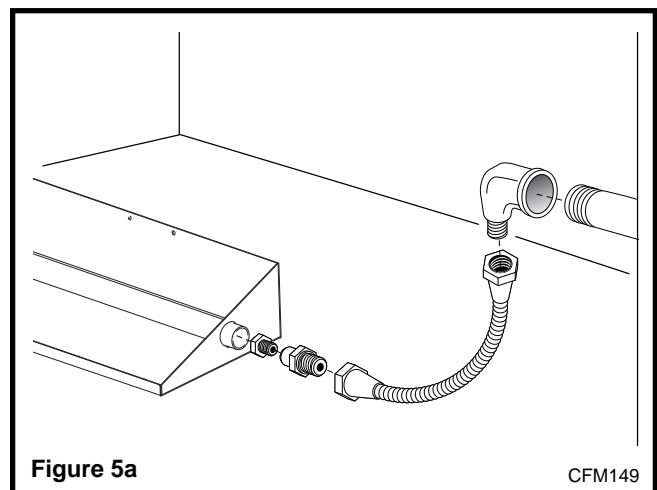
To check your vent for proper drafting: Light a tightly rolled newspaper on one end and place it at the inside front edge of the fireplace. Observe the smoke and be sure the vent is properly drawing it up the chimney. If the smoke is drawn back into the room, extinguish the flame and

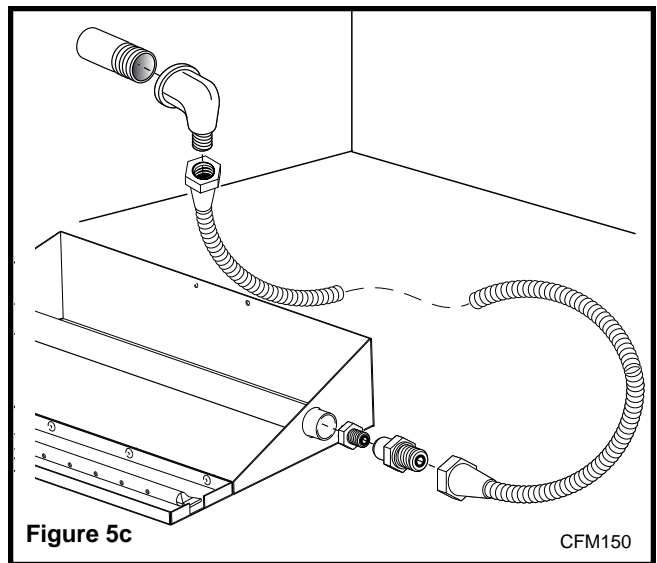
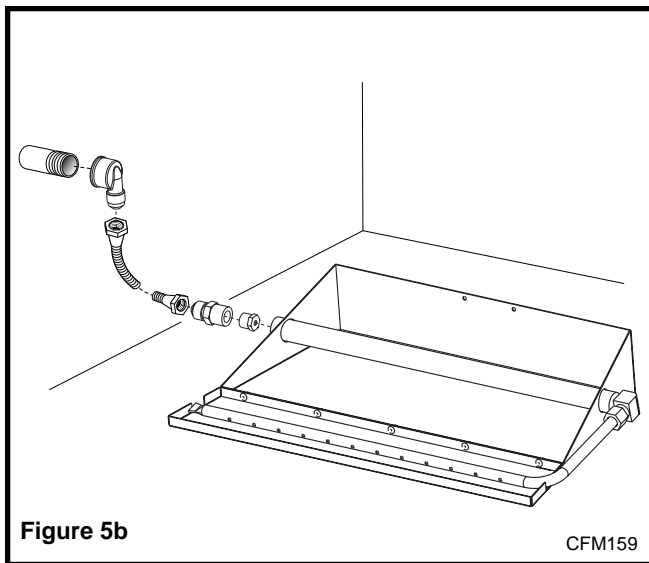


Connection to Gas Supply

1. Place the burner pan in the fireplace. The burner pan should be located several inches from the back wall, centered from right to left.
NOTE: This is for burner connection purposes only. Exact burner placement will be covered on page 8, after all connections have been made.
2. Attach the Gas Supply Fitting onto your fireplace's gas supply pipe, as shown in Figure 5.
3. Attach one end of the Flexible Gas Connector to the brass Burner Inlet Fitting which has been factory installed into the burner.
4. Attach the other end of the Gas Connector to the flared side of the Gas Supply Fitting.

Remember to use pipe thread sealant or teflon tape only on the straight pipe threads. Do not use on any flared ends.





Leak Test Procedures

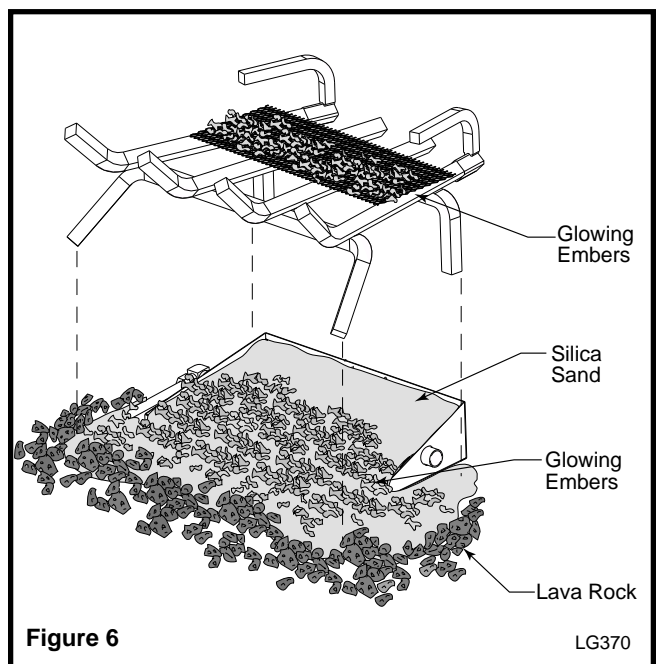
Create a mixture of equal parts soap and water. Apply to all the joints of the pipe fittings from the gas supply pipe to the burner. Turn on the gas supply valve for no longer than 3-5 seconds. If bubbles appear in the soap solution applied to the joints, there is a leak. Turn off the gas supply valve and tighten those fittings. Repeat the above procedure until no bubbles appear in the soap solution. Remember to test all joints.

WARNING: Do not use an open flame to test for leaks!

NOTE: Always perform a leak test any time the appliance has been moved or disconnected from the gas supply line.

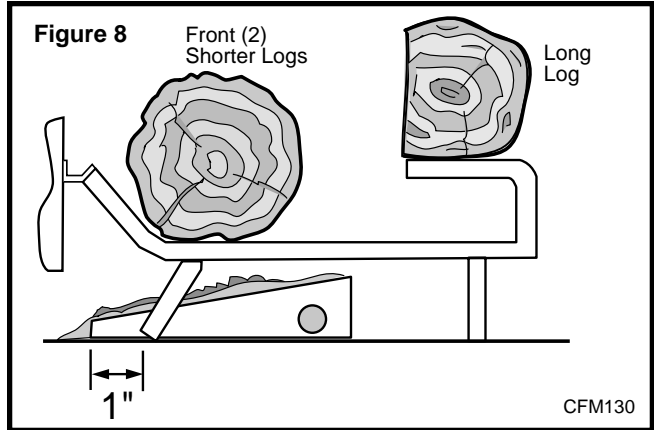
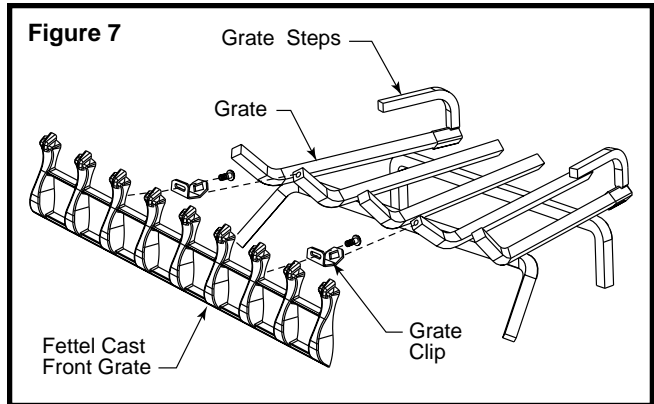
Adding Pan Material

1. Open the bag of Silica Sand and spread it evenly across the Burner Pan, to the top, as shown in Figure 6. You may overflow the front and sides of the pan to cover the entire pan and connecting hardware. **NOTE:** Sand is for use with Natural Gas ONLY! Vermiculite or Lava Rock must be used in place of Sand for Propane Gas. See Propane Conversion Kit Manual for details.
2. Next, open the bag of Glowing Embers and place them on top of the Silica Sand, evenly across the Burner Pan. Be sure to separate the Glowing Embers into very small pieces before placing them onto the Silica Sand.

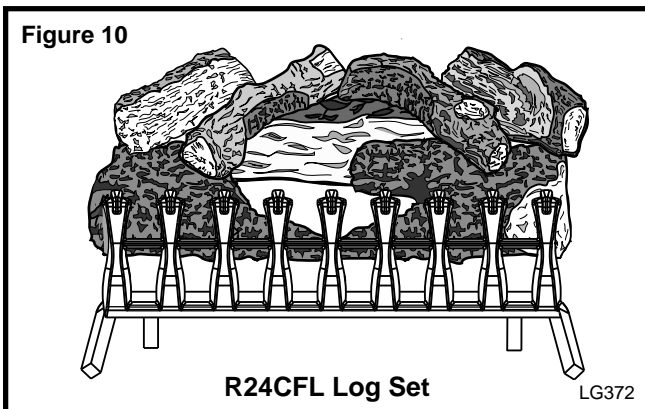
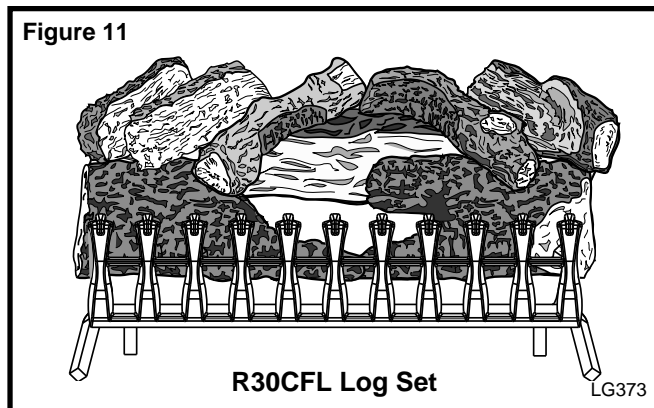
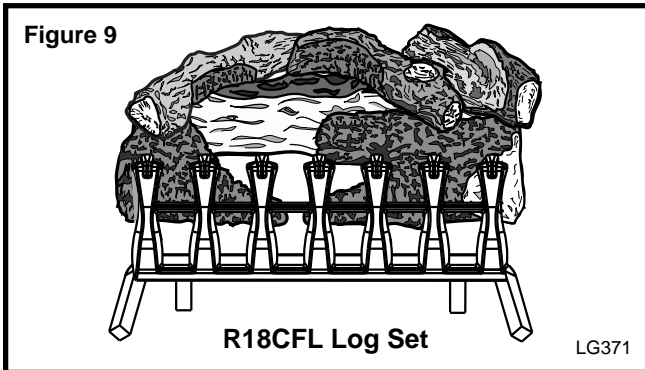


Grate and Log Placement

1. Place the Elevated Grate Steps onto the back of the Grate and attach the Fettel to front of Grate as shown in Figure 7.
2. Place the Grate over the Burner Pan so the front legs of the Grate are 1" behind the front edge of the Pan, as shown in Figure 8.
3. Place the larger bottom logs (longer log in back, shorter (2) in front) onto the grate, leaving as much space between them as possible. (Fig. 8) When burning, the flames should come up directly between these two logs.
4. Next, place the smaller top logs diagonally onto the bottom logs. The top logs can be arranged to achieve your desired flame pattern. Refer to Figures 9, 10, and 11 (R18CFL, R24CFL, and R30CRL). Be sure you leave as much open space between the logs as possible to minimize flame impingement and sooting.
5. Open the bag of Lava Rock and spread the rocks onto the fireplace floor around the burner pan for decorative purposes. (Fig. 6)



R18CFL, R24CFL and R30CFL Log Sets



For Your Safety Read Before Lighting

WARNING: If you do not follow these directions exactly, a fire or explosion may result causing property damage, personal injury, or loss of life.

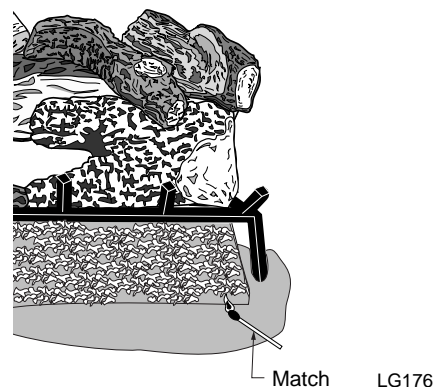
WHAT TO DO IF YOU SMELL GAS

- Do not try to light any appliance.
- Do not touch any electrical switch, do not use any phone in your building.
- Immediately call your gas supplier from a neighbor's phone. Follow the gas supplier's instructions.
- If you cannot reach your gas supplier, call the fire department.

Lighting Instructions

1. Turn the gas shut-off valve to OFF.
2. Wait five (5) minutes to clear out any gas.
If you then smell gas STOP! Follow the safety information above. If you don't smell gas, go on to the next step.
3. Light a match and lay it on top of the pan material, about 2" from the end of the supply side of the pan. (Fig. 12)
4. Slowly turn the gas shut-off valve ON until the burner ignites. If the burner doesn't ignite within ten (10) seconds with the match burning, turn the shut-off valve OFF and repeat steps 1 through 4 again.

Figure 12



WARNING: Flame may flare up when ignited. Keep hands and face away from firebox.

Operation and Maintenance

To Adjust the Flame:

Adjust the flame to the desired level by rotating the gas valve counterclockwise ↶ to open or clockwise ↷ to close.

To Turn the Appliance Off:

Rotate the gas shut-off valve clockwise ↷ to off.

Proper Maintenance:

- Keep the area around the log set clean and clear of debris.
- Occasionally, you may use a soft bristle brush to clean logs.
- Once every year, a qualified agency or certified chimney sweep should examine and clean the venting system of the fireplace in which the log set is installed.

Appliance Break-In

During the 2-3 hour appliance break-in period, you may detect an odor from the appliance as the various water-based paints used in the manufacture of this log set cure. This is a normal and temporary situation that is not a cause for alarm. However, you may want to provide extra ventilation to the room during this time.

To ensure proper curing of the logs:

- 1) Ignite a 2" flame and maintain it for 1/2 hour.
- 2) Burn the logs in consecutive 1/2 hour periods, raising the flame an additional 2" to full flame height for a total of three hours.

Troubleshooting

Log Set is Smoking/Sooting Excessively

It is natural and unavoidable for vented gas log sets to produce moderate levels of carbon (soot) where flame contacts the logs. The logs can be cleaned using a soft-bristle brush. However, if soot is produced where there is no flame impingement, one of the following may be the cause:

Fireplace venting system not drafting properly: Make sure the damper is wide open at all times. Preheat the flue in very cold weather by burning the log set at a very low level, then slowly increasing the flame height over a matter of hours. Have the fireplace and the venting system professionally cleaned.

Excessive flame impingement or blockage: Make sure there is proper spacing between the logs so they are not smothering the flame. Rearrange the logs so they are touched less by the flames.

Excessive gas supply/pressure: Make sure the gas pressure coming into the fireplace does not exceed the maximum pressure allowed with this gas set (refer to tables on page 4). If you are using the gas logs with a safety pilot kit, make sure you installed the correct orifice into the set.

Burner is Excessively Noisy

Please note: The movement and combustion of gas will create low, unavoidable levels of noise.

Excessive gas pressure: Make sure the gas pressure coming into the fireplace does not exceed the maximum pressure allowed with this gas set (refer to tables on page 4). If you are using the gas logs with a safety pilot kit, make sure you installed the correct orifice into the set.

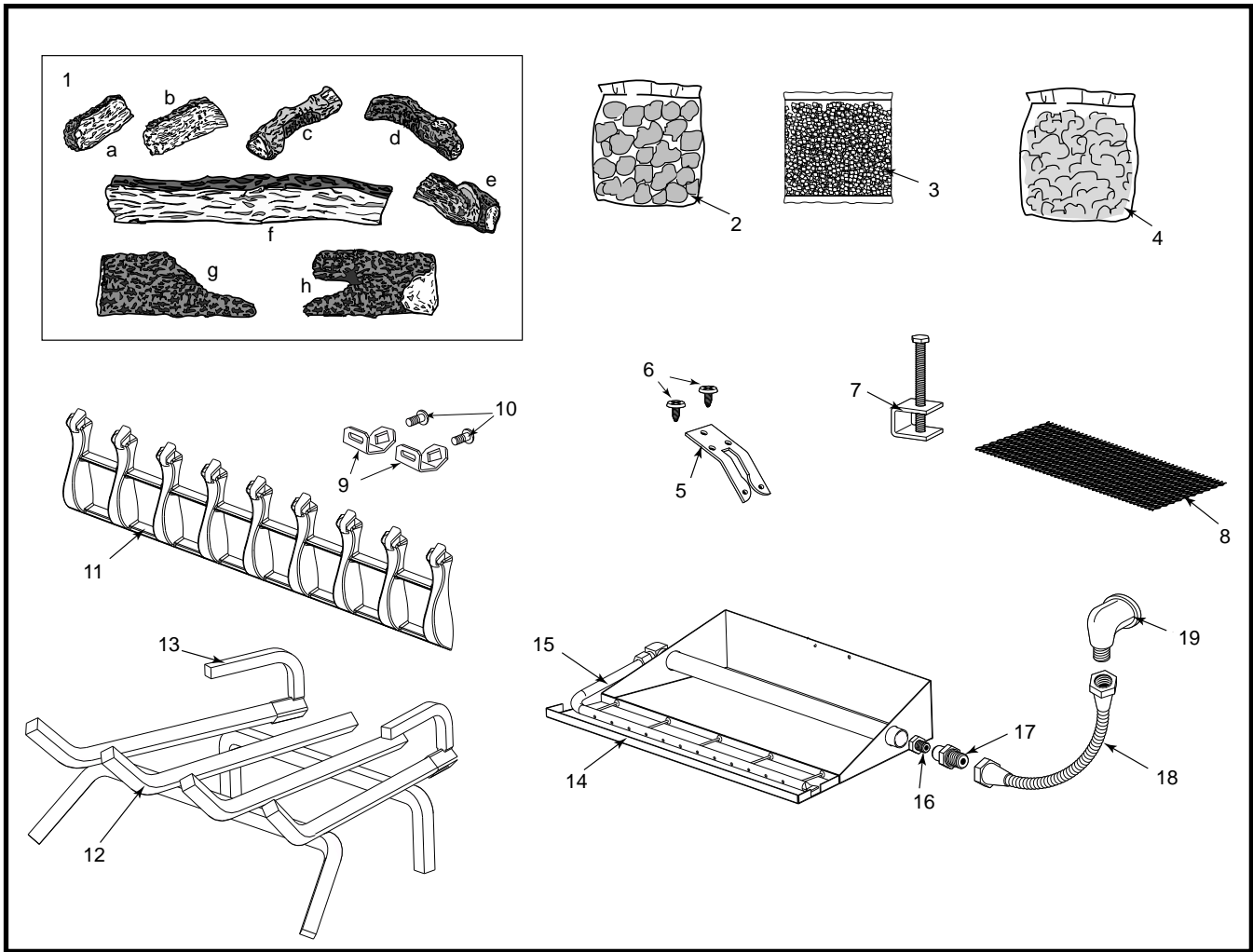
Passage of air/gas across irregular surfaces: There may be burrs, paint, or other blockages on the burner bar ports. Check these ports and remove any blockage.

Gas Connector: Relieve any tight bends or kinks in the Flexible Gas Connector. Switch to a smooth aluminum gas connector, which can be purchased at any hardware or home improvement store.

Burner Flame is Too High (8-12" Above Top Logs) or Too Low (Below Top Logs)

Incorrect gas supply, pressure, or burner orifice used: Make sure the gas pressure coming into the fireplace falls between the minimum and maximum pressures allowed with this gas set (refer to tables on page 4). If you are using the gas logs with a safety pilot kit, make sure you installed the correct orifice into the set.

Blocked ports (low flame only): Free the main burner orifice and burner bar ports of any burrs, paint, or other blockage.



CFM Specialty Home Products reserves the right to make changes in design, materials, specifications, prices and discontinue colors and products at any time, without notice.

R18/24/30CFL Vented Gas Logs

Ref.	Description	R18CFL	R24CFL	R30CFL
1.	Complete Log Set	20003915	20003916	20003917
1a.	Outside Left Cross Log (NNS2)	n/a	n/a	4312778
1b.	Left Cross Log (NNS4)	n/a	4312780	4312780
1c.	Center Left Cross Log (NEW-2)	4312847	4312847	4312847
1d.	Center Right Cross Log (NNO-3)	4312848	4312848	4312848
1e.	Outside Right Cross Log (NNS-3)	4312779	4312779	4312779
1f.	Back Log (NNS18B), (NNS24B), (NNS30B)	4312776	4312788	4312814
1g.	Front Left Log (KO-18L), (KO-24L), (KO-30L)	4312855	4312845	4312857
1h.	Front Right Log (KO-18L), (KO-24L)	4312856	4312844	4312844
2.	Bag of Lava Rock	4310010	4310010	4310010
3.	Bag of Silica Sand	4310006	4310006	4310006
4.	Bag of Glowing Embers	4310001	4310001	4310001
5.	Damper Stop (for use with CFM Specialty Home Products Fireplaces)	3030167	3030167	3030167
6.	Damper Stop Screws	7521901	7521901	7521901
7.	Damper Stop (for use with all other fireplaces)	20002632	20002629	20002575
8.	Screen Mesh	20001419	20001419	20001419
9.	Grate Clip - Fettel	3304311	3304311	3304311
10.	Screw - Grate Clip	3309078	3309078	3309078

R18/24/30CFL Vented Gas Logs (continued)

Ref.	Description	R18CFL	R24CFL	R30CFL
11.	Cast Front Grate w/Clips	CIGF18	CIGF24	CIGF30
12.	Grate	20000924	20000925	20000926
13.	Grate Step	20000955	20000955	20000955
14.	Pan & Extension Assembly	20003840	20003841	20003842
15.	Burner Tube - 3/8"	20003826	20003827	20003828
16.	Orifice - Natural (installed into Part #17)	20000960	20000961	20000961
17.	Burner Inlet Fitting (installed into Part #18)	20000958	20000958	20000958
18.	Flexible Gas Connector	3304176	3304176	3304176
19.	Gas Supply Fitting - Elbow	3304145	3304145	3304145

LIMITED 2/20 YEAR WARRANTY

For VERMONT CASTINGS Decorative Gas Appliances

CFM Specialty Home Products extends the warranties specified in paragraphs A and B below with respect to its Vermont Castings Decorative Gas Appliances (the "Gas Appliance"), including CFM Specialty Home Products supplied accessories and components referred to in those paragraphs, subject to the following conditions and limitations:

(1) These warranties are extended only to the Gas Appliance installed in the continental United States, including Alaska, and Canada; only if and so long as the accordance with the installation and operating instructions furnished therewith; and only if and so long as Gas Appliance is not removed from its original installation.

(2). These warranties are limited to only the component parts manufactured and supplied by CFM Specialty Home Products. The use of components manufactured by others with the Gas Appliance (except for a listed Type B venting system as defined in the installation instructions) could create serious safety hazard, may result in the denial of certification by recognized national safety agencies, and could be in violation of local building codes.

(3). The Gas Appliance must be operated at all times in accordance with the operating instruction furnished therewith. The Gas Appliance is designed to burn either natural or propane gas only. Burning conventional fireplace fuels such as wood, coal, or any other solid fuel will cause damage to the Gas Appliance, will produce excessive temperatures and will result in a fire hazard.

(4). These warranties are limited to repair, replacement or furnishing a replacement for sale, as specified in Paragraphs A and B, for a part found to CFM Specialty Home Products satisfaction, after examination, to be defective in materials or workmanship under normal conditions, use and service.

(5). All obligations with respect to these warranties may be fully discharged by CFM Specialty Home Products refunding the wholesale price of a defective part.

(6) Except as otherwise expressly specified in Paragraphs A and B. **NONE OF THESE WARRANTIES COVER, AND CFM SPECIALTY HOME PRODUCTS SHALL NOT BE RESPONSIBLE FOR, ANY CONSTRUCTION, INSTALLATION, LABOR, TRANSPORTATION OR OTHER COSTS OR EXPENSES ARISING FROM A DEFECTIVE PART, ITS REPAIR OR REPLACEMENT OR OTHERWISE, NOR SHALL CFM SPECIALTY HOME PRODUCTS IN ANY EVENT BE RESPONSIBLE FOR ANY INDIRECT, INCIDENTAL OR CONSEQUENTIAL DAMAGES. EXCEPT TO THE EXTENT PROVIDED BY LAW, THERE ARE NO IMPLIED WARRANTIES WITH RESPECT TO THE GAS APPLIANCE, ITS COMPONENTS AND ACCESSORIES (INCLUDING IMPLIED**

WARRANTIES OF MERCHANTABILITY OR FITNESS FOR A PARTICULAR PURPOSE), ALL OF WHICH ARE HEREBY EXPRESSLY INCLUDED. IN NO EVENT SHALL ANY IMPLIED WARRANTY PRESCRIBED BY LAW (NOTWITHSTANDING THE FOREGOING EXPRESS EXCLUSION) REMAIN IN EFFECT AFTER EXPIRATIONS OF THE WARRANTIES SET FORTH IN PARAGRAPHS A AND B.

A. Gas Appliances, electrical and manual components, glass panels, all sealants or adhesives and optional accessories (exclusive of CFM Specialty Home Products supplied decorative logs which are covered by a separate warranty under paragraph B below):

Within two years from the date of manufacture of the gas appliance, CFM Specialty Home Products will repair, or replace (at our option) a defective part without charge.

B. Cement or ceramic fiber log components: Within two years from the date of manufacture of the gas appliance, CFM Specialty Home Products will replace a defective part without charge. Within years three through twenty from the date of manufacture of the gas appliance, CFM Specialty Home Products will provide a replacement for a defective part to the homeowner, but assumes no liability for incurred labor cost.

The foregoing warranties gives you specific legal rights and you may also have other rights which vary from state to state. Some states do not allow limitations on how long an implied warranty may last, so the limitation specified above on the duration of any implied warranty prescribed by law may not apply to you. Similarly, some states do not permit the exclusion or limitation of incidental or consequential damages, so the above exclusion of such damages may not apply to you.

In order to obtain performance of any of the above warranty obligations, write to CFM Specialty Home Products at this address:

CFM Specialty Home Products
410 Admiral Blvd
Mississauga, Ontario Canada L5T 2N6
Attention: Manager of Warranty Services

Since local building requirements may vary greatly throughout the country, users of CFM Specialty Home Products products should determine in advance whether there are any building code restrictions on the use of a specified product.

CFM SPECIALTY HOME PRODUCTS MAKES NO REPRESENTATION OR WARRANTY REGARDING, AND SHALL NOT BE RESPONSIBLE FOR, ANY BUILDING CODE COMPLIANCE. The foregoing warranties give you specific legal rights and you may also have other rights which vary from state to state.

CFM Specialty Home Products

410 Admiral Blvd. • Mississauga, Ontario, Canada L5T 2N6 • 905-670-7777
www.majesticproducts.com • www.vermontcastings.com